

Stainless Steel-Ball lock pins

with L-Handle, pin material no. AISI 630

SPECIFICATION

Pin
Stainless Steel AISI 630
precipitation-hardened

L-Handle
Plastic (Polyamide PA), black
temperature resistant up to 80 °C

Balls
Stainless Steel AISI 420C

Spring
Stainless Steel, German Material No. 14565



INFORMATION

Stainless Steel-Ball lock pins GN 113.12 are used for quick fixing, connecting and locking of various parts and workpieces. A typical application is locating pins which have often to be removed and installed again.

By pressing the spring loaded push button both balls are unlocked and by releasing it, the balls are locked again.

Ball lock pins GN 113.12 have an extreme load capacity, the pin is made of heavy duty, hardened and highly abrasion-resistant Stainless Steel.

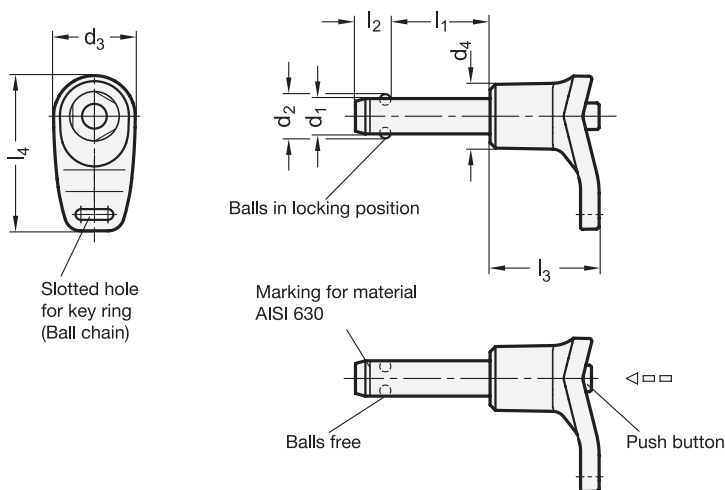
- Range of lock pins (see page 868)

ACCESSORY

- Ball chains GN 111 (see page 904)
- Stainless Steel-Ball chains GN 111.5 (see page 905)
- Retaining cables GN 111.2 (see page 906)
- Spiral retaining cables GN 111.4 (see page 908)

TECHNICAL INFORMATION

- ISO-Fundamental Tolerances (see page A21)
- Stainless Steel characteristics (see page A26)



GN 113.12

STAINLESS STEEL

Description	d1 -0.04/ -0.08	l1 +0.6	d2	d3	d4	l2 ±1	l3	l4	Location bore H11	Load capacity F in kN ≈ double sided shearing resistance acc. DIN 50141 (breaking strength)	⚖️
GN 113.12-5-10	5	10	5.5	17.5	13.5	6	26.5	33	5	24	14
GN 113.12-5-15	5	15	5.5	17.5	13.5	6	26.5	33	5	24	15
GN 113.12-5-20	5	20	5.5	17.5	13.5	6	26.5	33	5	24	17
GN 113.12-5-25	5	25	5.5	17.5	13.5	6	26.5	33	5	24	18
GN 113.12-5-30	5	30	5.5	17.5	13.5	6	26.5	33	5	24	20
GN 113.12-5-35	5	35	5.5	17.5	13.5	6	26.5	33	5	24	21
GN 113.12-5-40	5	40	5.5	17.5	13.5	6	26.5	33	5	24	23
GN 113.12-5-45	5	45	5.5	17.5	13.5	6	26.5	33	5	24	24
GN 113.12-5-50	5	50	5.5	17.5	13.5	6	26.5	33	5	24	25
GN 113.12-5-60	5	60	5.5	17.5	13.5	6	26.5	33	5	24	26
GN 113.12-5-70	5	70	5.5	17.5	13.5	6	26.5	33	5	24	27
GN 113.12-5-80	5	80	5.5	17.5	13.5	6	26.5	33	5	24	28
GN 113.12-6-10	6	10	7	17.5	13.5	7	26.5	33	6	35	17
GN 113.12-6-15	6	15	7	17.5	13.5	7	26.5	33	6	35	18
GN 113.12-6-20	6	20	7	17.5	13.5	7	26.5	33	6	35	19
GN 113.12-6-25	6	25	7	17.5	13.5	7	26.5	33	6	35	20
GN 113.12-6-30	6	30	7	17.5	13.5	7	26.5	33	6	35	21
GN 113.12-6-35	6	35	7	17.5	13.5	7	26.5	33	6	35	22
GN 113.12-6-40	6	40	7	17.5	13.5	7	26.5	33	6	35	23
GN 113.12-6-45	6	45	7	17.5	13.5	7	26.5	33	6	35	24
GN 113.12-6-50	6	50	7	17.5	13.5	7	26.5	33	6	35	25
GN 113.12-6-60	6	60	7	17.5	13.5	7	26.5	33	6	35	26
GN 113.12-6-70	6	70	7	17.5	13.5	7	26.5	33	6	35	29
GN 113.12-6-80	6	80	7	17.5	13.5	7	26.5	33	6	35	32
GN 113.12-8-10	8	10	9.5	23	18	8.2	34	43.5	8	63	38
GN 113.12-8-15	8	15	9.5	23	18	8.2	34	43.5	8	63	40
GN 113.12-8-20	8	20	9.5	23	18	8.2	34	43.5	8	63	41
GN 113.12-8-25	8	25	9.5	23	18	8.2	34	43.5	8	63	43
GN 113.12-8-30	8	30	9.5	23	18	8.2	34	43.5	8	63	45
GN 113.12-8-35	8	35	9.5	23	18	8.2	34	43.5	8	63	47
GN 113.12-8-40	8	40	9.5	23	18	8.2	34	43.5	8	63	49
GN 113.12-8-45	8	45	9.5	23	18	8.2	34	43.5	8	63	51
GN 113.12-8-50	8	50	9.5	23	18	8.2	34	43.5	8	63	53
GN 113.12-8-60	8	60	9.5	23	18	8.2	34	43.5	8	63	54
GN 113.12-8-70	8	70	9.5	23	18	8.2	34	43.5	8	63	61
GN 113.12-8-80	8	80	9.5	23	18	8.2	34	43.5	8	63	65
GN 113.12-8-90	8	90	9.5	23	18	8.2	34	43.5	8	63	67
GN 113.12-8-100	8	100	9.5	23	18	8.2	34	43.5	8	63	72
GN 113.12-10-15	10	15	12	23	18	8.2	34	43.5	8	100	40
GN 113.12-10-20	10	20	12	23	18	8.2	34	43.5	8	100	48
GN 113.12-10-25	10	25	12	23	18	9.6	34	43.5	10	100	51
GN 113.12-10-30	10	30	12	23	18	9.6	34	43.5	10	100	54
GN 113.12-10-35	10	35	12	23	18	9.6	34	43.5	10	100	57
GN 113.12-10-40	10	40	12	23	18	9.6	34	43.5	10	100	60
GN 113.12-10-45	10	45	12	23	18	9.6	34	43.5	10	100	63
GN 113.12-10-50	10	50	12	23	18	9.6	34	43.5	10	100	64
GN 113.12-10-60	10	60	12	23	18	9.6	34	43.5	10	100	72
GN 113.12-10-70	10	70	12	23	18	9.6	34	43.5	10	100	78
GN 113.12-10-80	10	80	12	23	18	9.6	34	43.5	10	100	81
GN 113.12-10-90	10	90	12	23	18	9.6	34	43.5	10	100	90
GN 113.12-10-100	10	100	12	23	18	9.6	34	43.5	10	100	93
GN 113.12-10-110	10	110	12	23	18	9.6	34	43.5	10	100	103
GN 113.12-10-120	10	120	12	23	18	9.6	34	43.5	10	100	105



8

Indexing elements



Indexing elements 8

GN 113.12

STAINLESS STEEL

Description	d1 -0.04/ -0.08	l1 +0.6	d2	d3	d4	l2 ±1	l3	l4	Location bore H11	Load capacity F in kN ≈ double sided shearing resistance acc. DIN 50141 (breaking strength)	⚖️
GN 113.12-12-20	12	20	14.5	30.5	24	10.6	40.5	58	12	144	93
GN 113.12-12-25	12	25	14.5	30.5	24	10.6	40.5	58	12	144	98
GN 113.12-12-30	12	30	14.5	30.5	24	10.6	40.5	58	12	144	104
GN 113.12-12-35	12	35	14.5	30.5	24	10.6	40.5	58	12	144	107
GN 113.12-12-40	12	40	14.5	30.5	24	10.6	40.5	58	12	144	111
GN 113.12-12-45	12	45	14.5	30.5	24	10.6	40.5	58	12	144	115
GN 113.12-12-50	12	50	14.5	30.5	24	10.6	40.5	58	12	144	119
GN 113.12-12-60	12	60	14.5	30.5	24	10.6	40.5	58	12	144	128
GN 113.12-12-70	12	70	14.5	30.5	24	10.6	40.5	58	12	144	136
GN 113.12-12-80	12	80	14.5	30.5	24	10.6	40.5	58	12	144	145
GN 113.12-12-90	12	90	14.5	30.5	24	10.6	40.5	58	12	144	153
GN 113.12-12-100	12	100	14.5	30.5	24	10.6	40.5	58	12	144	161
GN 113.12-12-110	12	110	14.5	30.5	24	10.6	40.5	58	12	144	170
GN 113.12-12-120	12	120	14.5	30.5	24	10.6	40.5	58	12	144	179
GN 113.12-16-30	16	30	19	30.5	24	14	40.5	58	16	257	134
GN 113.12-16-35	16	35	19	30.5	24	14	40.5	58	16	257	142
GN 113.12-16-40	16	40	19	30.5	24	14	40.5	58	16	257	150
GN 113.12-16-45	16	45	19	30.5	24	14	40.5	58	16	257	157
GN 113.12-16-50	16	50	19	30.5	24	14	40.5	58	16	257	170
GN 113.12-16-60	16	60	19	30.5	24	14	40.5	58	16	257	180
GN 113.12-16-70	16	70	19	30.5	24	14	40.5	58	16	257	196
GN 113.12-16-80	16	80	19	30.5	24	14	40.5	58	16	257	210
GN 113.12-16-90	16	90	19	30.5	24	14	40.5	58	16	257	230
GN 113.12-16-100	16	100	19	30.5	24	14	40.5	58	16	257	246
GN 113.12-16-110	16	110	19	30.5	24	14	40.5	58	16	257	262
GN 113.12-16-120	16	120	19	30.5	24	14	40.5	58	16	257	277
GN 113.12-16-130	16	130	19	30.5	24	14	40.5	58	16	257	293
GN 113.12-16-140	16	140	19	30.5	24	14	40.5	58	16	257	309
GN 113.12-16-150	16	150	19	30.5	24	14	40.5	58	16	257	324
GN 113.12-20-50	20	50	25	40.5	33	20.5	51.5	72.5	20	403	330
GN 113.12-20-60	20	60	25	40.5	33	20.5	51.5	72.5	20	403	351
GN 113.12-20-70	20	70	25	40.5	33	20.5	51.5	72.5	20	403	378
GN 113.12-20-80	20	80	25	40.5	33	20.5	51.5	72.5	20	403	395
GN 113.12-20-90	20	90	25	40.5	33	20.5	51.5	72.5	20	403	427
GN 113.12-20-100	20	100	25	40.5	33	20.5	51.5	72.5	20	403	445
GN 113.12-20-110	20	110	25	40.5	33	20.5	51.5	72.5	20	403	475
GN 113.12-20-120	20	120	25	40.5	33	20.5	51.5	72.5	20	403	494
GN 113.12-20-130	20	130	25	40.5	33	20.5	51.5	72.5	20	403	520
GN 113.12-20-140	20	140	25	40.5	33	20.5	51.5	72.5	20	403	547
GN 113.12-20-150	20	150	25	40.5	33	20.5	51.5	72.5	20	403	572
GN 113.12-25-50	25	50	30.8	40.5	33	22	51.5	72.5	25	631	428
GN 113.12-25-60	25	60	30.8	40.5	33	22	51.5	72.5	25	631	466
GN 113.12-25-70	25	70	30.8	40.5	33	22	51.5	72.5	25	631	504
GN 113.12-25-80	25	80	30.8	40.5	33	22	51.5	72.5	25	631	540
GN 113.12-25-90	25	90	30.8	40.5	33	22	51.5	72.5	25	631	581
GN 113.12-25-100	25	100	30.8	40.5	33	22	51.5	72.5	25	631	618
GN 113.12-25-110	25	110	30.8	40.5	33	22	51.5	72.5	25	631	657
GN 113.12-25-120	25	120	30.8	40.5	33	22	51.5	72.5	25	631	695
GN 113.12-25-130	25	130	30.8	40.5	33	22	51.5	72.5	25	631	733
GN 113.12-25-140	25	140	30.8	40.5	33	22	51.5	72.5	25	631	770
GN 113.12-25-150	25	150	30.8	40.5	33	22	51.5	72.5	25	631	810